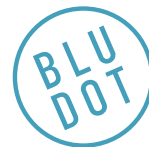
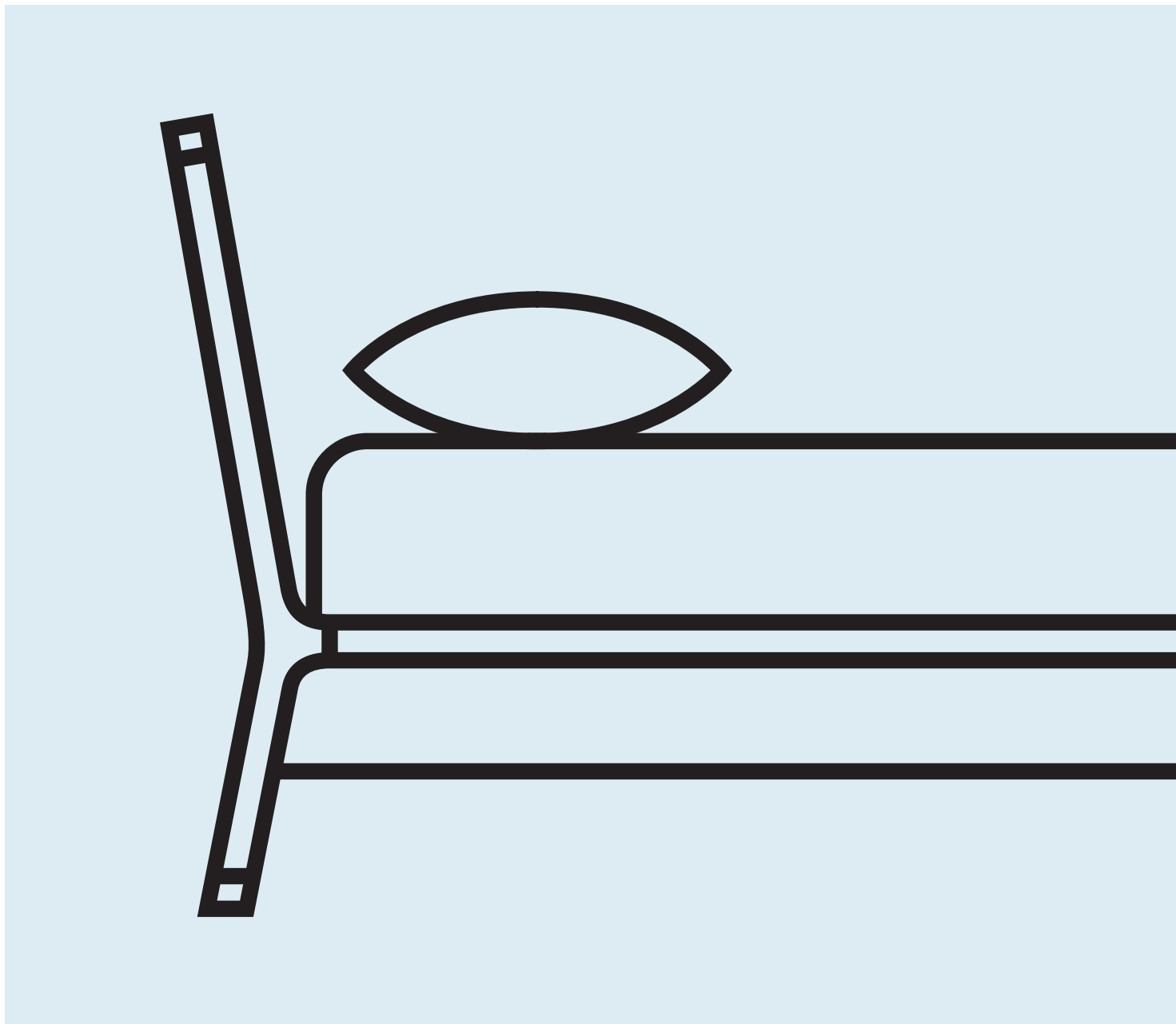


Woodrow Bed Collection



DESIGNED IN 2010

ASSEMBLY NOTES | REV 00



GO AHEAD AND OVERSLEEP.

Graceful lines meet gorgeous wood.

NEED A HAND?

Contact us at service@bludot.com or
844.425.8368 for assistance.

Parts & Hardware



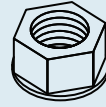
QTY 8

Pt. 8050



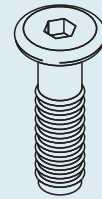
QTY 8

Pt. 8051



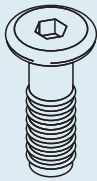
QTY 8

Pt. 2007



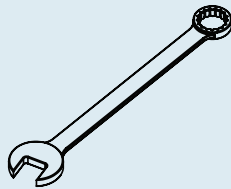
QTY 2*

Pt. 1685



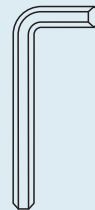
QTY 8*

Pt. 1686



QTY 1

Pt. 9029



QTY 1

Pt. 9028



QTY 2*

Center Leg



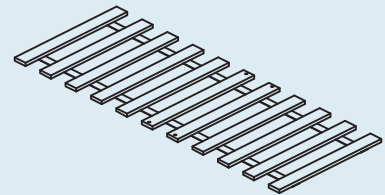
QTY 2

Side Rail



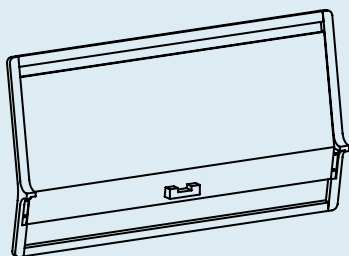
QTY 1*

Center Rail



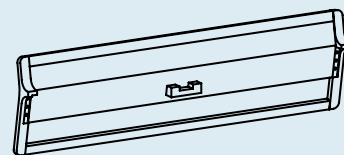
QTY 2*

Mattress Slat



QTY 1

Headboard



QTY 1

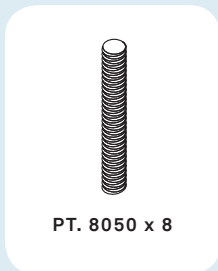
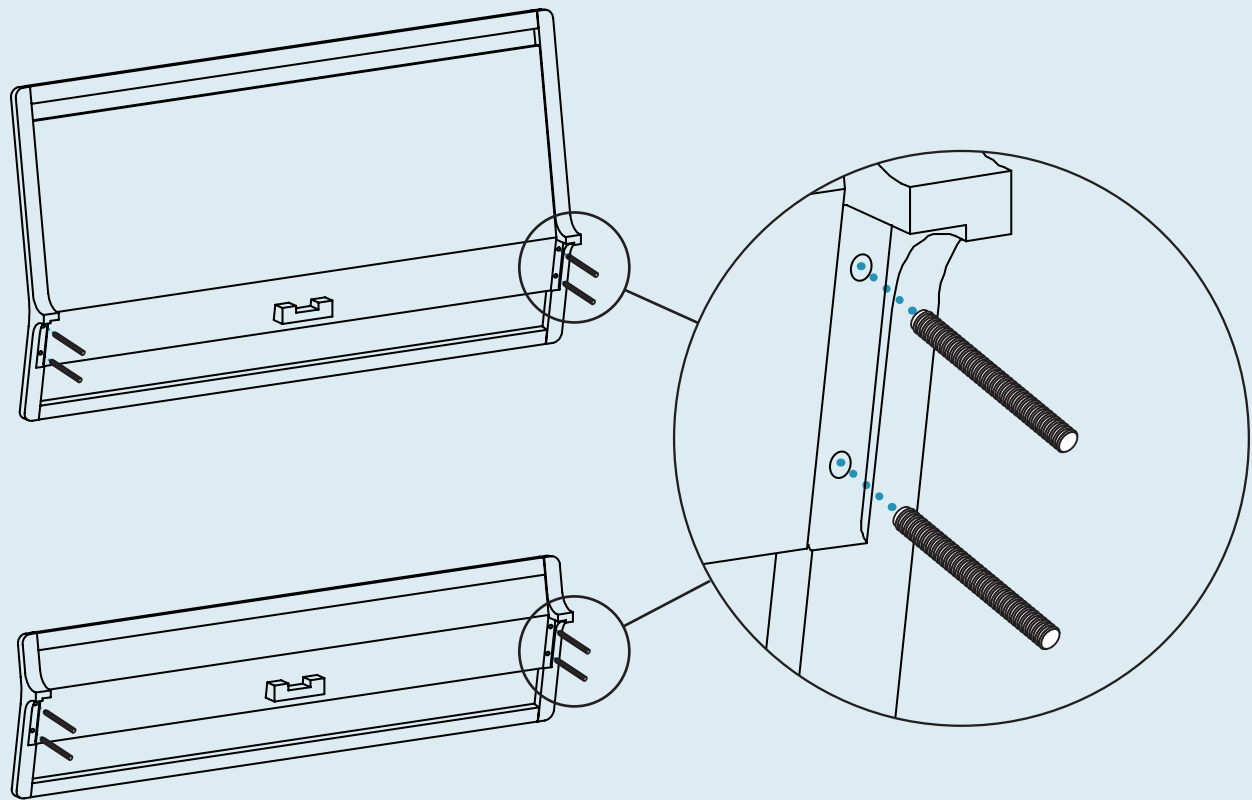
Footboard

*Assembly and part quantities will differ for Twin sized bed. See note on steps 4,5, 6, and 7 for details.

Step 01

INSTALLING CONNECTOR BOLTS.

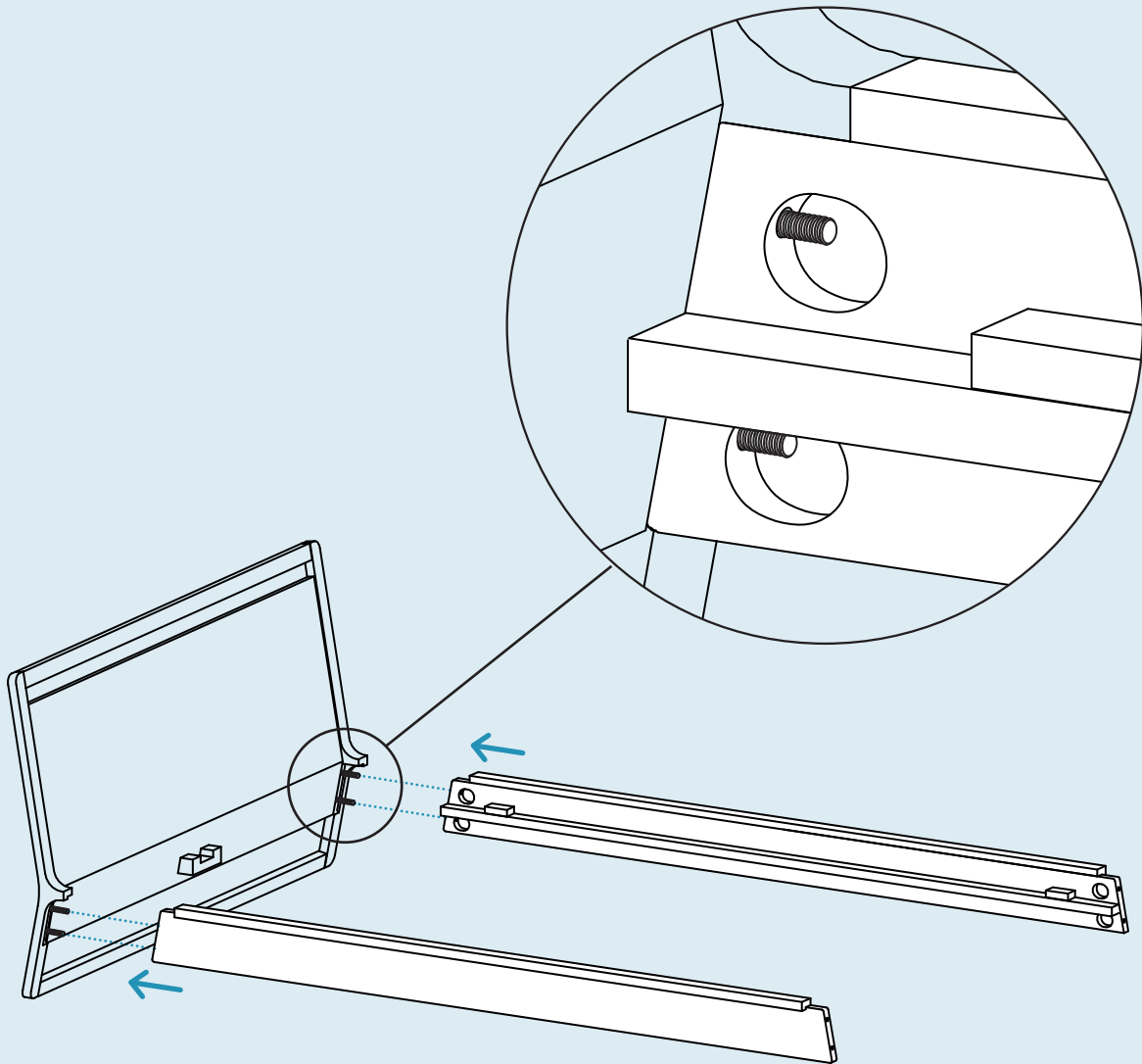
Attach the provided hardware as shown on headboard and footboard.



Step 02

ASSEMBLE SIDE RAILS TO HEADBOARD.

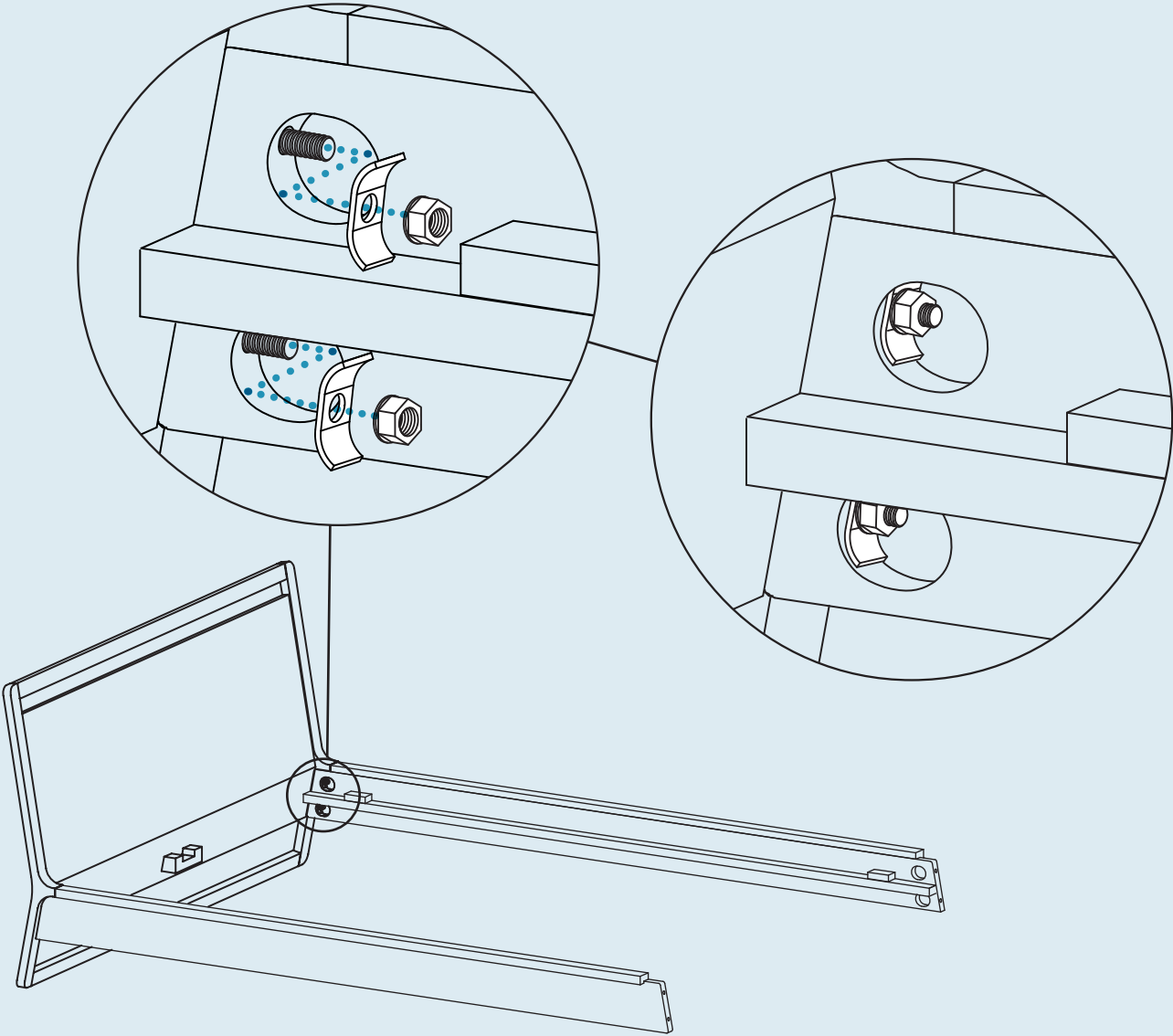
Align side rails with headboard as shown.
Have a second person help align parts to
prevent damage.



Step 03

SECURE SIDE RAILS TO HEADBOARD.

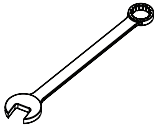
Secure side rails with headboard as shown using the hardware provided.



PT. 8051 x 4



PT. 2007 x 4

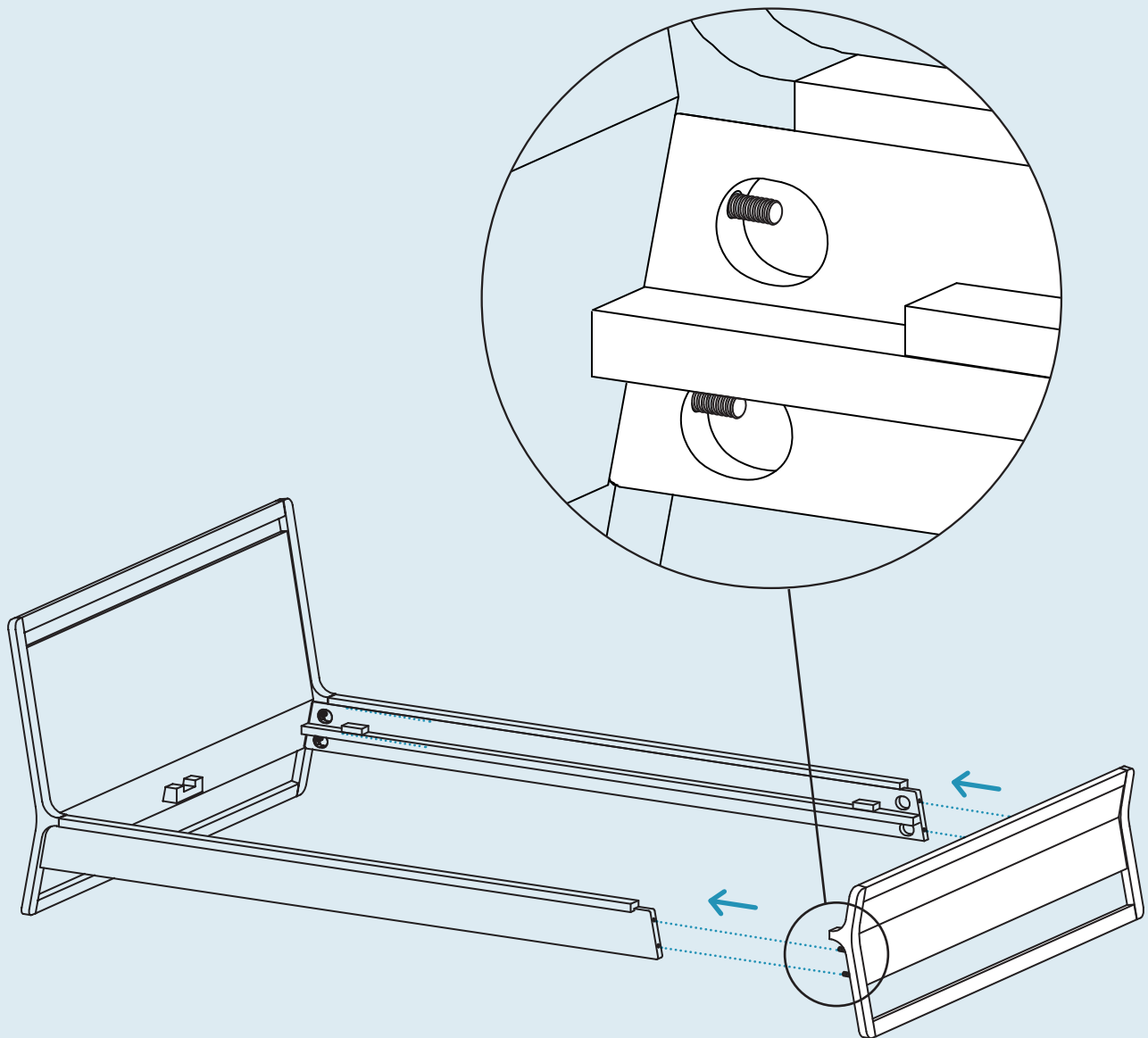


PT. 9029 x 1

Step 04

ASSEMBLE SIDE RAILS TO FOOTBOARD.

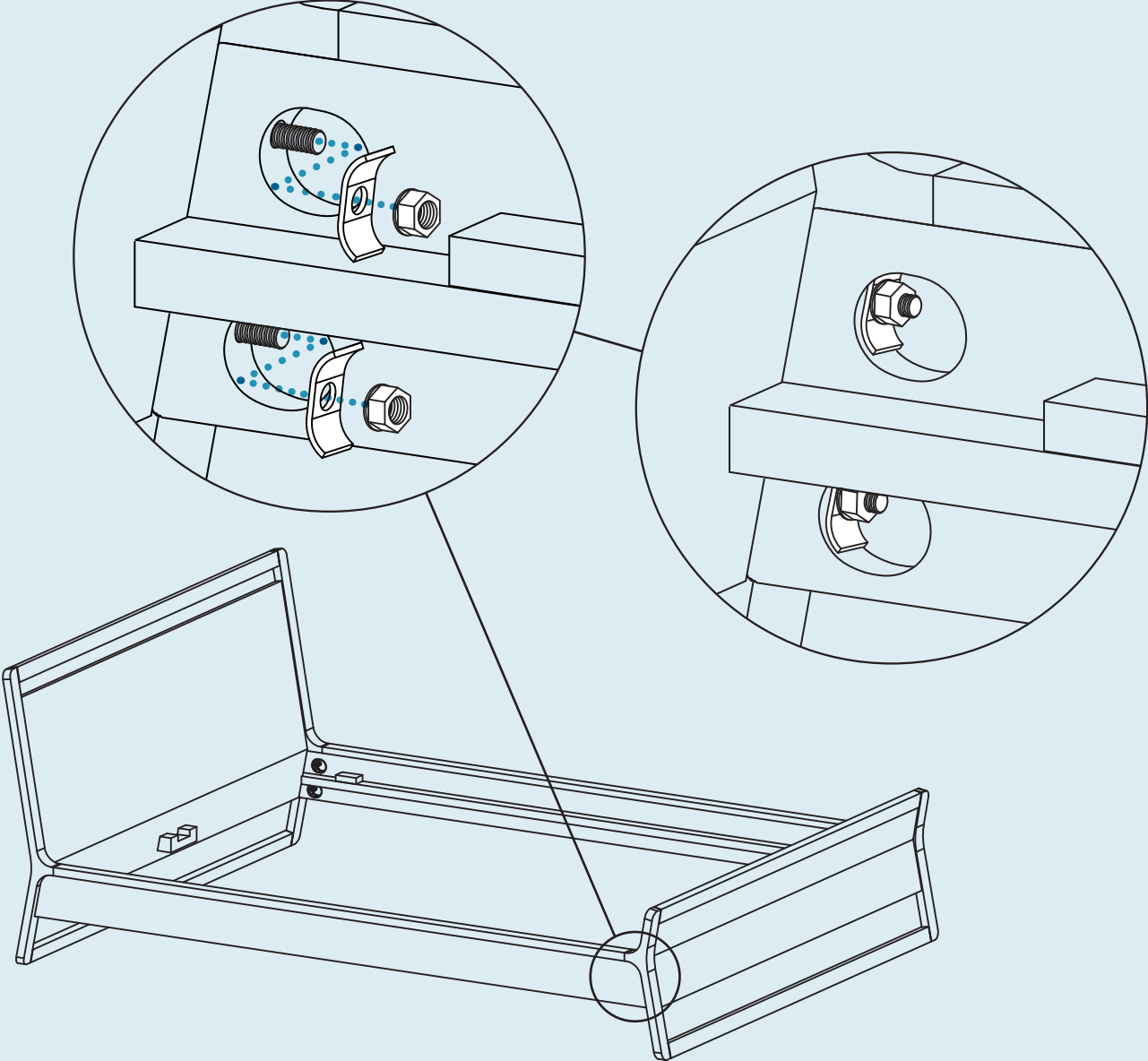
Align side rails with footboard as shown.
Have a second person help align parts to
prevent damage.



Step 05

SECURE SIDE RAILS TO FOOTBOARD.

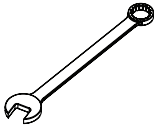
Secure side rails with footboard as shown using the hardware provided.



PT. 8051 x 4



PT. 2007 x 4



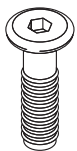
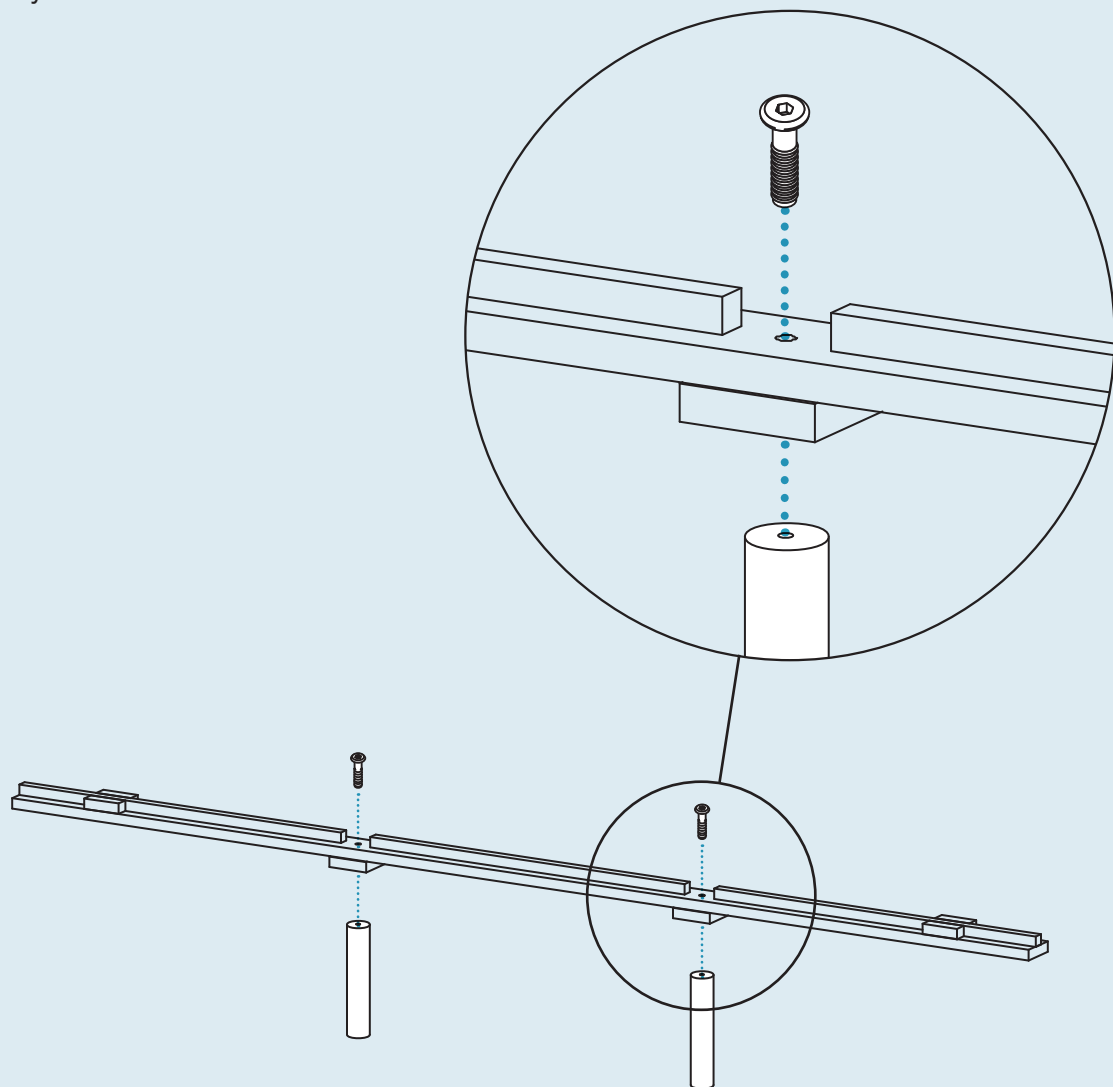
PT. 9029 x 1

Step 06

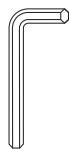
ASSEMBLE CENTER RAIL.

Attach the center legs to the center rail as shown using the provided hardware.

NOTE: This step may be skipped for Twin sized bed assembly.



PT. 1685 x 2



PT. 9028 x 1

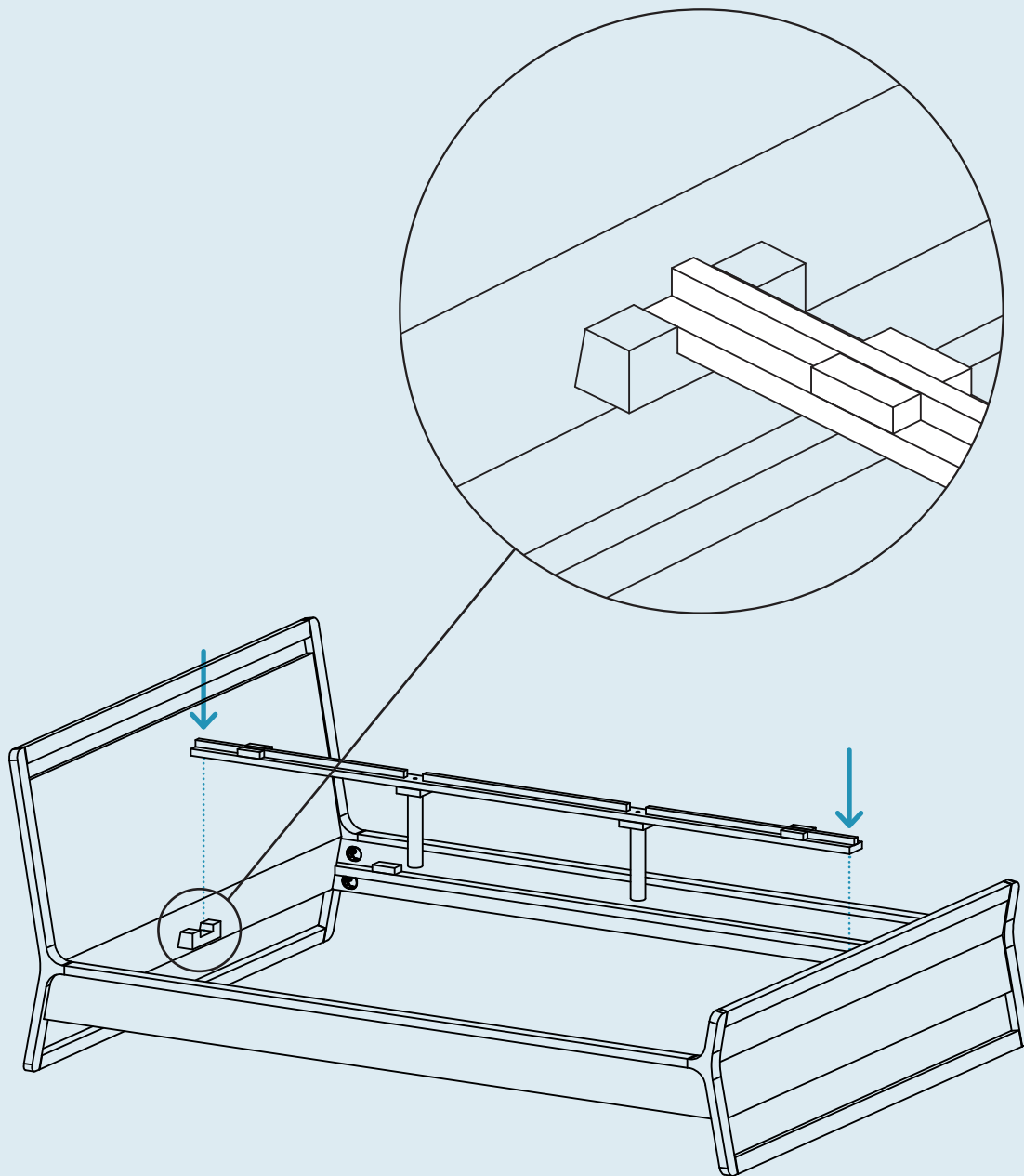


Step 07

ATTACH CENTER RAIL.

Place center rail in corresponding slots in headboard and footboard.

NOTE: This step may be skipped for Twin sized bed assembly.

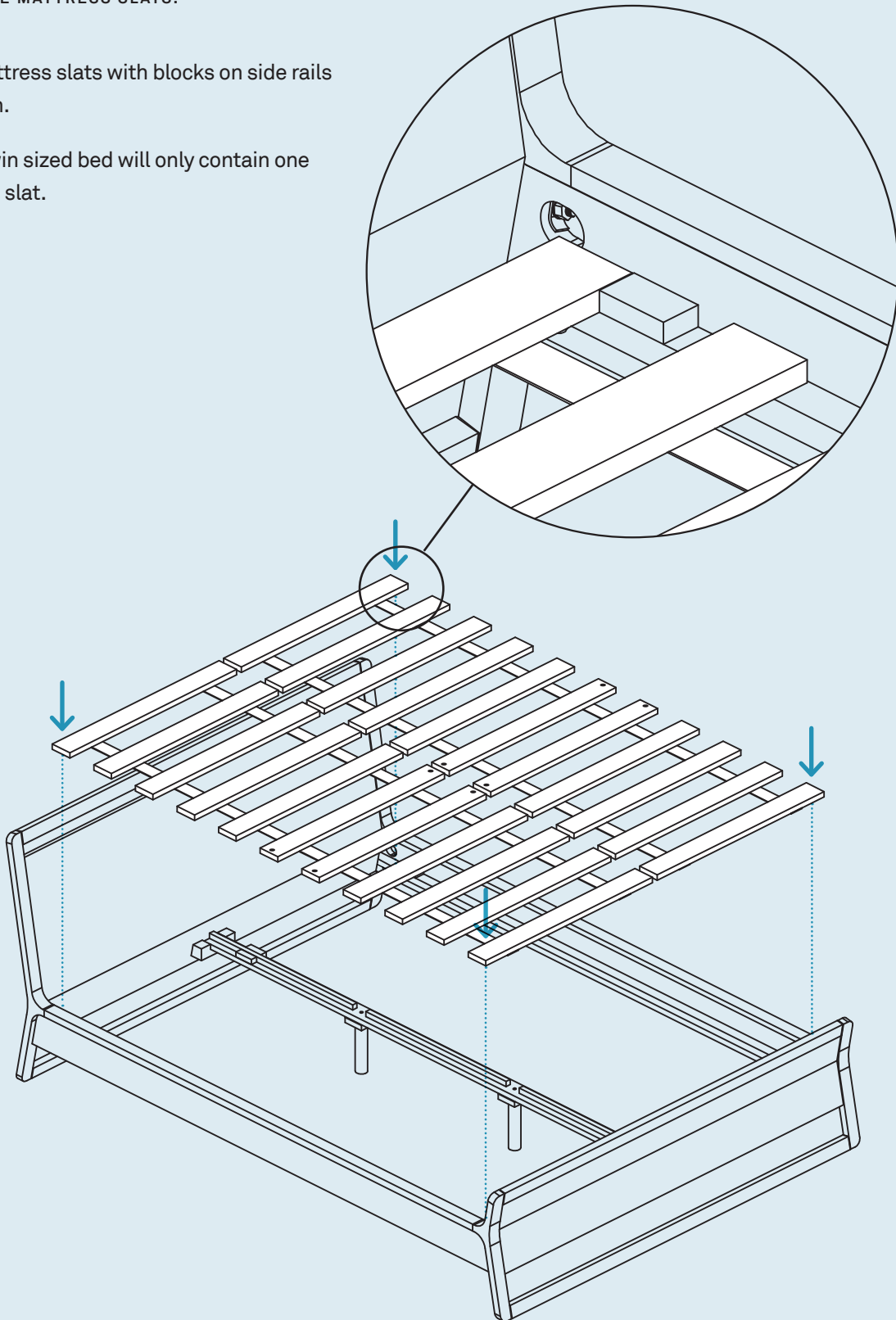


Step 08

ASSEMBLE MATTRESS SLATS.

Align mattress slats with blocks on side rails as shown.

NOTE: Twin sized bed will only contain one mattress slat.

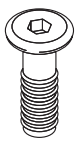
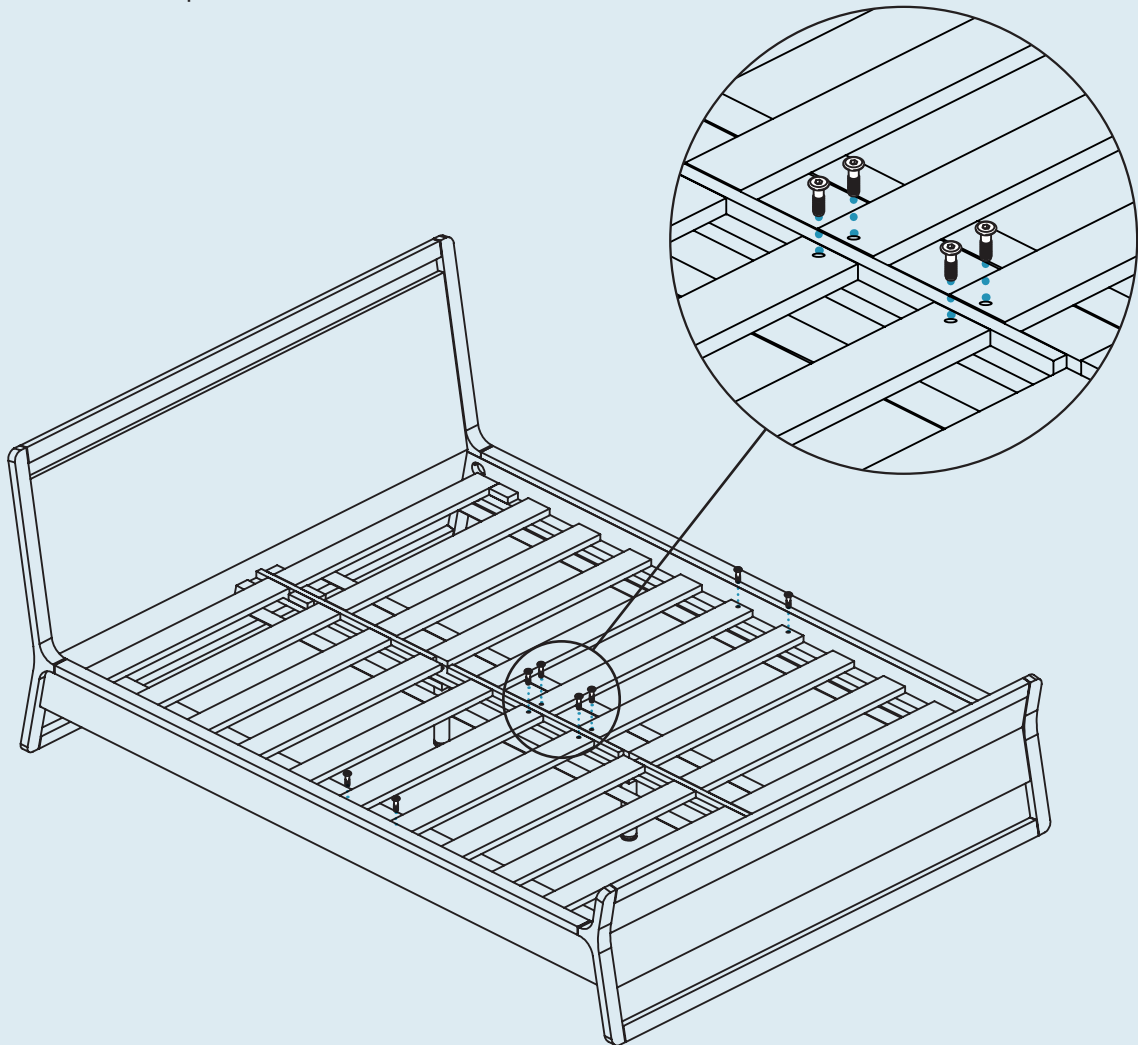


Step 09

SECURE MATTRESS SLATS.

Attach the mattress slats to the center rail and side rails as shown using the provided hardware.

NOTE: Twin sized bed will only require four bolts to secure slat in place.



PT. 1686 x 8



PT. 9028 x 1

Additional Information

CLEAN

Clean with a slightly damp, soft cloth. To remove dirt and fingerprints, use a quality cleaner formulated for wood furniture. Wipe completely dry with a soft cloth in the direction of the wood grain.